



Description

Mircom's FS-400C ceiling mount strobes offer a visual solution that deliver exceptional energy efficiency in a compact design. Utilizing advanced LED technology, the FS-400C strobes provide a lower current draw which allows for more devices on a NAC circuit while reducing the number of external power supplies required.

The FS-400C strobes can be field-configured for 15, 15/75, 30, 75, 110 cd. The candela setting is displayed through the front window for easy identification. The device settings are located on the back of the unit to prevent tampering.

The FS-400C strobes can be synchronized using a control panel with the Mircom sync protocol or the SDM-240 synchronization module.

The FS-400C strobes utilize a universal mounting plate that allows for mounting to a single gang, double gang, octagon, 4" junction or 4" square electrical box. The back plate allows the installer to mount the plate and connect the wire connections. The device attaches to the mounting plate and is secured by a single mounting screw. In addition, the FS-400C can mount to the Mircom BB-400 back box for surface mount applications.

Compliance

- UL 1971
- UL 1638
- ULC-S526
- NFPA 72 2016 Edition

Features

- Compact Design
- Advanced LED technology provides superior current draw performance
- Lower power consumption per device allows for more notification appliances per circuit and reduces the need for external power supplies
- Standard and High candela settings in one unit to meet virtually any application
 - 15, 15/75, 30, 75, 110 cd
- Device settings are located on the back of the unit to prevent tampering
- Includes shorting clip that allows installers to test the wiring before the device is installed
- Supports 12 to 22 AWG
- Mount to Mircom BB-400 surface mount back box, single gang, 4-inch square, double gang, octagon and 4-inch junction boxes
- All units include universal mounting plate
- Red or white finish
- For indoor applications

Engineering Specifications

The strobe shall be a Mircom FS-400C notification appliance for ceiling mount applications. The strobe shall be of a low current draw design and operate at 24 VDC regulated or full wave rectified. The strobe shall incorporate a Light Emitting Diode (LED) as the light source and have five field selectable settings of 15, 15/75, 30, 75, 110 candela. The candela selection shall be in a visible location at all times when installed. The candela settings shall be tamper resistant. The strobe shall be synchronized using a control panel with the Mircom sync protocol or the SDM-240 sync module. The strobe shall utilize a mounting plate that allows the installer to pre-wire the mounting plate. The mounting plate shall mount on a single gang, double gang, octagon, 4-inch square box or Mircom's BB-400 series back box. The strobe shall be listed to UL standard 1638, Visible Signaling Devices for Fire Alarm and Signaling Systems and standard 1971, Signaling Devices for the Hearing Impaired. In addition, the strobe shall be listed to ULC S526, Visible Signal Devices for Fire Alarm Systems.



S5375



S5375



7125-1477:0501

Specifications

General Specifications

Operating temperature	0°C to 50°C (32°F to 122°F)
Humidity range	0% to 93%
Strobe flash rate	1 Hz
Nominal Voltage	Regulated 24 VDC / 24 VFWR
Operating Voltage Range (RMS)	16 to 33
Input terminal wire gauge	22 AWG to 12 AWG
Installation environment	For indoor use only

FS-400C Ceiling Strobe Operating RMS Currents (mA)

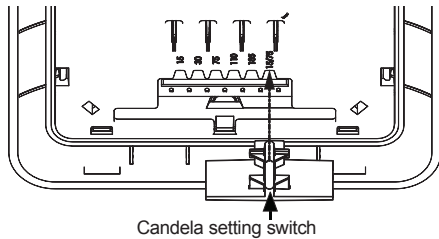
Candela	Regulated 24 VDC	Regulated 24 VFWR
15	37	93
30	72	152
75	152	217
15/75	153	216
110	226	256

Light Output Dispersion

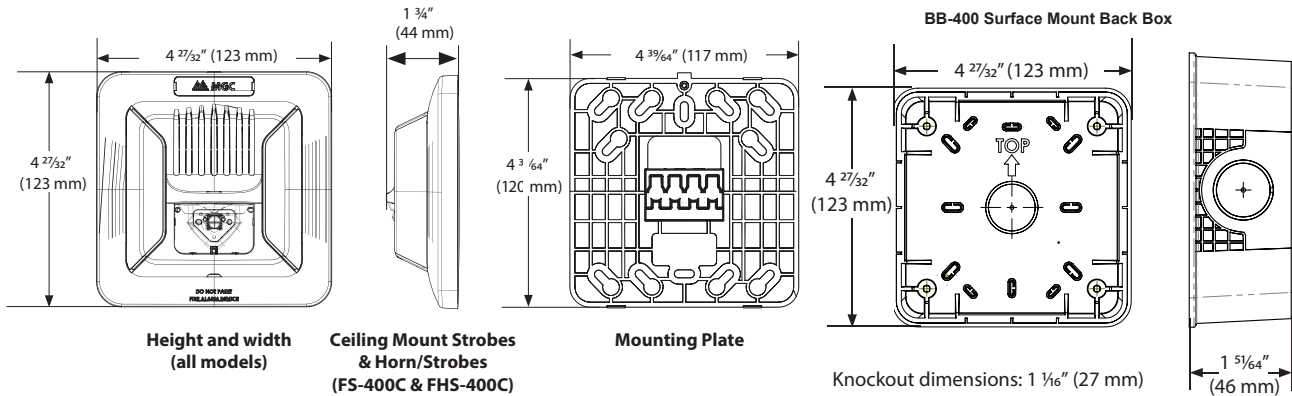
Degrees	% of Candela Rating	
	Vertical Dispersion X-Plane	Vertical Dispersion, Y-Plane
±0	150	155
±5	149	153
±10	149	152
±15	145	152
±20	139	146
±25	130	130
±30	121	122
±35	114	115
±40	111	111
±45	110	108
±50	110	108
±55	107	105
±60	100	101
±65	88	89
±70	72	72
±75	59	59
±80	60	61
±85	55	58
±90	42	45
Compound ±45°	79	83

Note: The values are shown as percentages of the rated light output at any candela setting.

Candela Settings



Dimensions



Ordering Information

Model Number	Description
FS-400C-RR	Ceiling Mount Strobe, Red
FS-400C-WW	Ceiling Mount Strobe, White
BB-400R	Surface Mount Back Box, Red
BB-400W	Surface Mount Back Box, White
SDM-240	Synchronization Module

NOT TO BE USED FOR INSTALLATION PURPOSES.



Canada
 25 Interchange Way
 Vaughan, Ontario L4K 5W3
 Telephone: (905) 660-4655
 Fax: (905) 660-4113

U.S.A.
 4575 Witmer Industrial Estates
 Niagara Falls, NY 14305
 Toll Free: (888) 660-4655
 Fax Toll Free: (888) 660-4113

Web page: <http://www.mircom.com> Email: mail@mircom.com

Distributed by:

ISO 9001:2008 REGISTERED



CAT. 5276 Rev. 0